

- NOTES:-**
- ALL DIMENSIONS ARE IN MILLIMETER AND LEVELS ARE IN METER UNLESS OTHERWISE STATED.
 - ±0.00 LVL. REFERS TO G.L.
 - CLEAR COVER SHALL BE AS FOLLOWS:-

| | TOP | BOTTOM | SIDE |
|---------------|-----|--------|------|
| a) PILE- | 50 | 50 | 50 |
| b) PILE CAP- | 80 | 80 | 60 |
| c) LIFT WALL- | - | - | 20 |
 - GRADE OF CONCRETE FOR PILE CAP SHALL BE M25 AS PER IS:456-2000.
 - UNLESS OTHERWISE SPECIFIED ALL REINFORCEMENT TO BE USED SHALL BE TMT BARS OF GRADE Fe-500/50D CONFORMING TO IS-1786-2008.
 - CONCRETE GRADE OF PILE SHALL BE M25 WITH MINIMUM CEMENT CONTENT OF 400KG/CUM OF CONCRETE & SLUMP BETWEEN 150mm TO 180mm.
 - CONCRETING SHALL BE DONE BY SUITABLE TREMIE ONLY & IT SHOULD BE REACHED WITHIN 500 TO 750mm FROM BOTTOM LEVEL OF BORE HOLE.
 - CONCRETING SHALL BE DONE AS SOON AS POSSIBLE AFTER COMPLETING THE PILE BORE. THE BORE HOLE FULL OF DRILLING MUD SHOULD NOT BE LEFT UNCONCRETED FOR MORE THAN 12 TO 24 HOURS DEPENDING UPON THE STABILITY OF BORE HOLES.
 - FOR PLACING CONCRETE IN PILE BORE A FUNNEL SHOULD BE USED & METHOD OF CONCRETING SHOULD BE SUCH THAT THE ENTIRE VOLUME OF THE PILE BORE IS FILLED UP WITHOUT THE FORMATION OF VOIDS.
 - THE PILE HEADS SHALL PROJECT IN TO THE PILE CAP 75mm. THE HEADS TO BE NEATLY FORMED TO THE REQUIRED DIA.
 - ALL LAP JOINTS AND DEVELOPMENT LENGTHS SHALL BE 50DIA. & TACK WELDED.
 - INITIAL PILE LOAD TEST AND ONE NUMBER ROUTINE LOAD TEST SHALL BE PERFORMED AS PER IS CODE FOR EVERY 100 PILES.
 - SPACER BAR OF DIA 11G ARE TO BE PROVIDED AT AN INTERVAL OF 1500 mm C/C.
 - BENTONITE TO BE USED AS PER IS CODE.
 - VIBRATOR SHALL BE USED FOR PROPER COMPACTION OF CONCRETE AND CURING SHALL BE DONE PROPERLY.
 - THIS DRAWING SHOULD BE READ ALONG WITH THE CORRESPONDING ARCHITECTURAL DRAWINGS.
 - THIS DRAWING IS TO BE READ IN CONJUNCTION WITH RELEVANT SURVEY DRAWING.
 - PILE CAPACITY OF SOIL & OTHER NECESSARY INFORMATION HAS BEEN CONSIDERED AS PER SOIL REPORT PREPARED BY DR. S.K. BOSE. THESE RECOMMENDATIONS MUST BE ENSURED AT SITE BY IN-SITU PILE LOAD TEST.

TITLE
 STRUCTURAL DRAWING OF PROPOSED G+IV STORED RESIDENTIAL BUILDING AT MOUZA- UDAYAMPUR, J.L. NO-74, R.S & L.R. DAG NO-942/1356(P), L.R. KH. NO-3285, UNDER CHAK ENAYET NAGAR GRAM PANCHAYET, P.S- BISHNUPUR, DIST -24 PGS (S), WEST BENGAL.

DECLARATION OF OWNER
 I DO HEREBY DECLARE WITH FULL RESPONSIBILITY THAT I SHALL ENGAGE L.B.S & ESE DURING CONSTRUCTION OF THE BUILDING AS PER PLANS. K.M.C AUTHORITY WILL NOT BE RESPONSIBLE FOR STRUCTURAL STABILITY OF THE BUILDING & MOVING STRUCTURE. IF ANY SUBMITTED DOCUMENTS ARE FAKE, THE K.M.C AUTHORITY WILL REVOKE THE SANCTION PLAN. THE CONSTRUCTION OF S.U.G.W.R. TAKEN UNDER THE GUIDANCE OF L.B.S. / ESE BEFORE STARTING OF BUILDING FOUNDATION.

MANAFULI INFRASTRUCTURES LLP
 Designated Partner
MANAFULI INFRASTRUCTURES LLP
 Designated Partner
MANAFULI INFRASTRUCTURES LLP
 Designated Partner

DECLARATION OF L.B.S./ ARCHITECT
 CERTIFIED WITH FULL RESPONSIBILITY THAT THE BUILDING PLAN HAS BEEN DRAWN UP AS PER PROVISION OF K.M.C BUILDING RULES 2008 AS AMENDED FROM TIME TO TIME & THAT THE SITE CONDITION INCLUDING THE ADJUTING K.M.C MAINTAINED ROAD CONFORMS WITH THE PLAN, WHICH HAS BEEN MEASURED AND VERIFIED BY ME. IT IS A BUILDABLE SITE & NOT A TANK OR FILLED UP TANK. THE LAND IS DEMARCATED BY BOUNDARY WALL. THE CONSTRUCTION OF U.G. WATER TANK AND SEPTIC TANK WILL BE COMPLETED BEFORE STARTING OF BUILDING.

SIGNATURE OF L.B.S./ ARCHITECT
 Ashish Kr. Chatterbari
 License No. 177/1
 (In Kolkata Municipal Corporation)

SIGNATURE OF GEO-TECHNICAL ENGINEER
 UNDERSIGNED HAS INSPECTED THE SITE CARRIED OUT THE SOIL INVESTIGATION THEREIN. IT IS CERTIFIED THAT THE EXISTING SOIL OF THE SITE IS ABLE TO CARRY THE LOAD COMING FROM THE PROPOSED CONSTRUCTION & THE FOUNDATION SYSTEM PROPOSED THEREIN IS SAFE & STABLE IN ALL RESPECT FROM GEO TECHNICAL POINT OF VIEW.

DR. SUJIT KUMAR BOSE
 Ph.D., M.C.E(Soil), B.C.E(Hons.)
 MGS, MIRC
 Empanelled Geotechnical Engineer Under K.M.C License No.-G.T./1/12

CERTIFICATE OF STRUCTURAL ENGINEER
 THE STRUCTURAL DESIGN & DRAWINGS OF BOTH FOUNDATION & SUPERSTRUCTURE OF THE BUILDING HAS BEEN PREPARED BY ME CONSIDERING ALL POSSIBLE LOADS INCLUDING THE SEISMIC LOAD AS PER NATIONAL BUILDING CODE OF INDIA & THE FOUNDATION IS CAPABLE OF TAKING THE LOAD. CERTIFIED THAT IT IS SAFE & STABLE IN ALL RESPECTS. STRUCTURE DESIGN CALCULATION HAS BEEN CONSIDERING SOIL REPORT AND ARCHITECTURAL DRAWING AS INPUT.

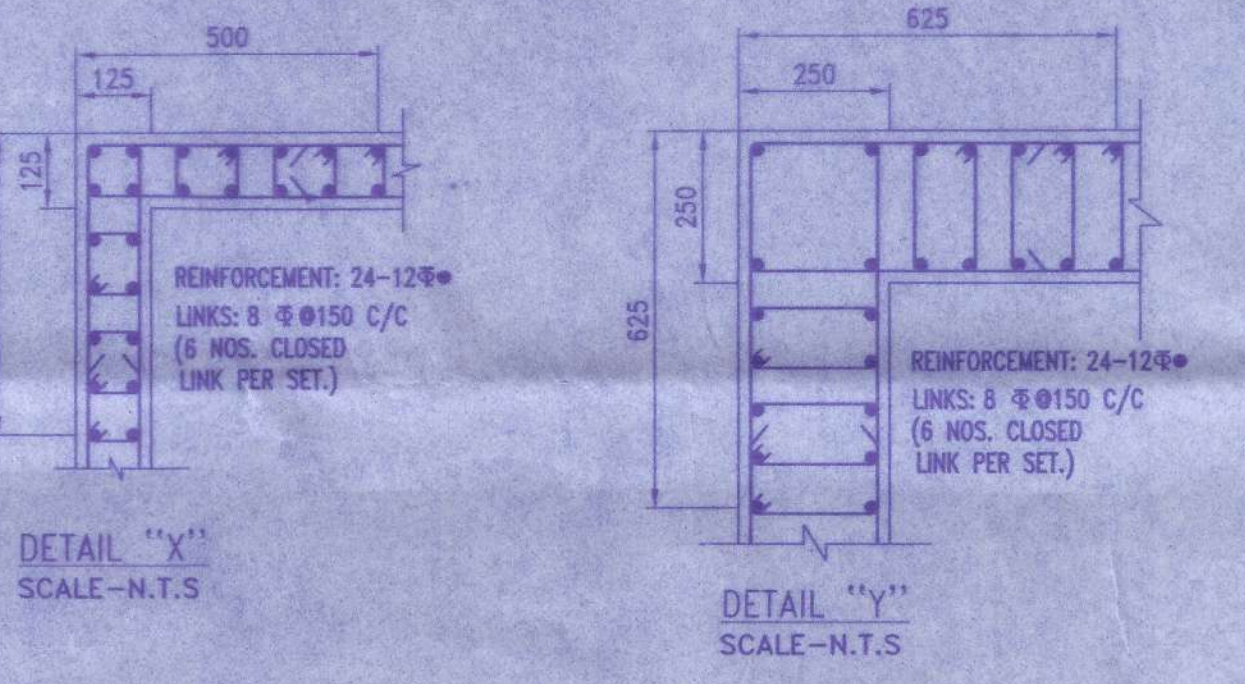
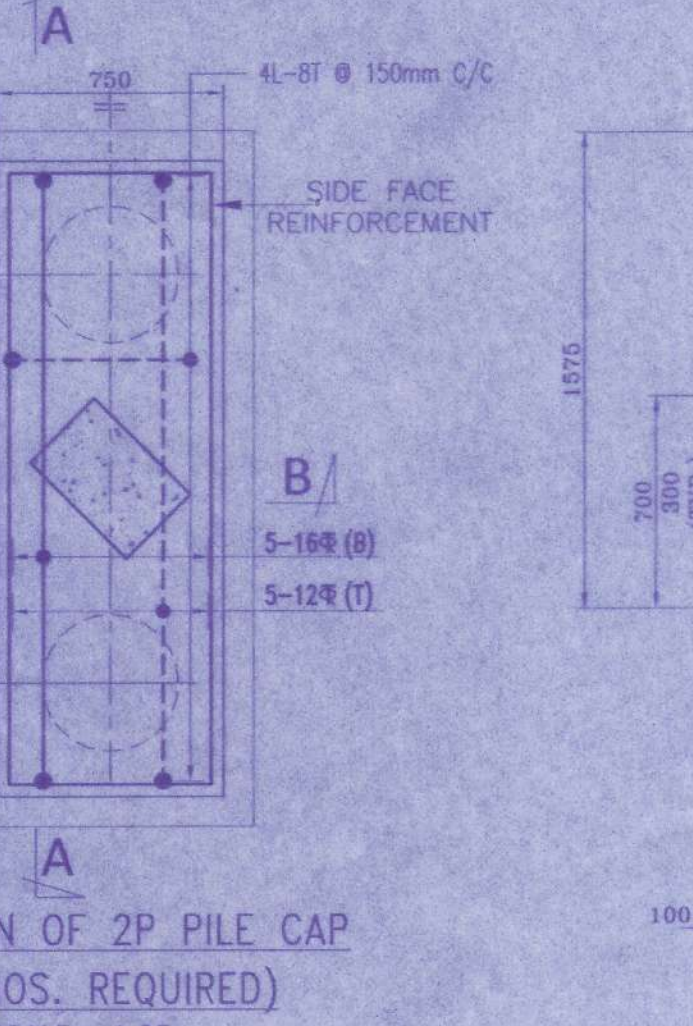
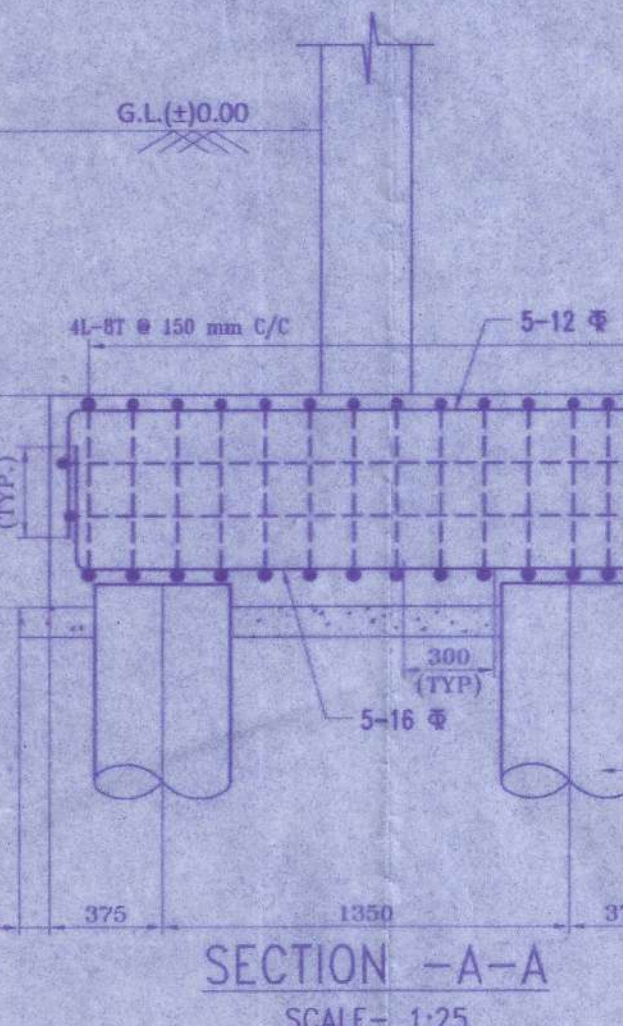
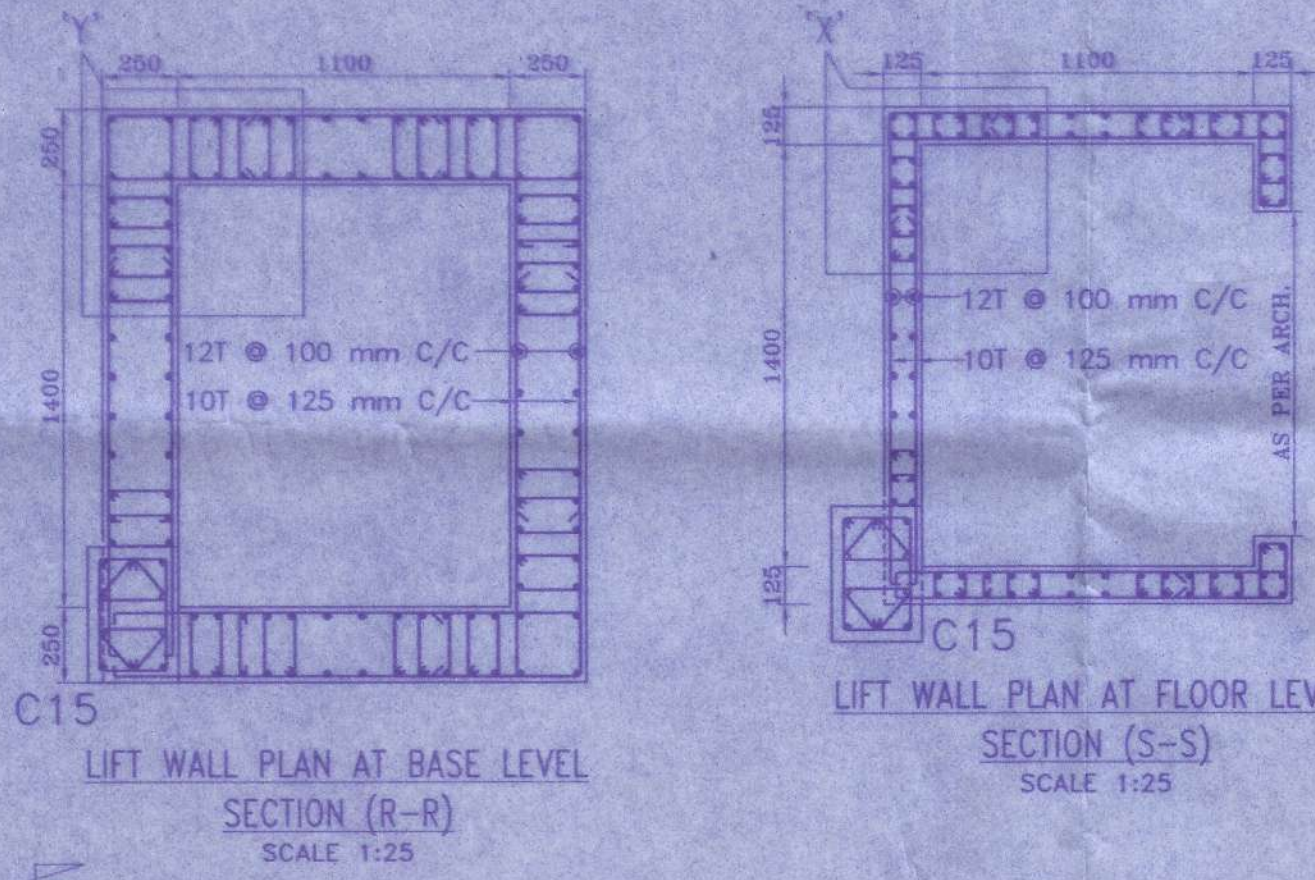
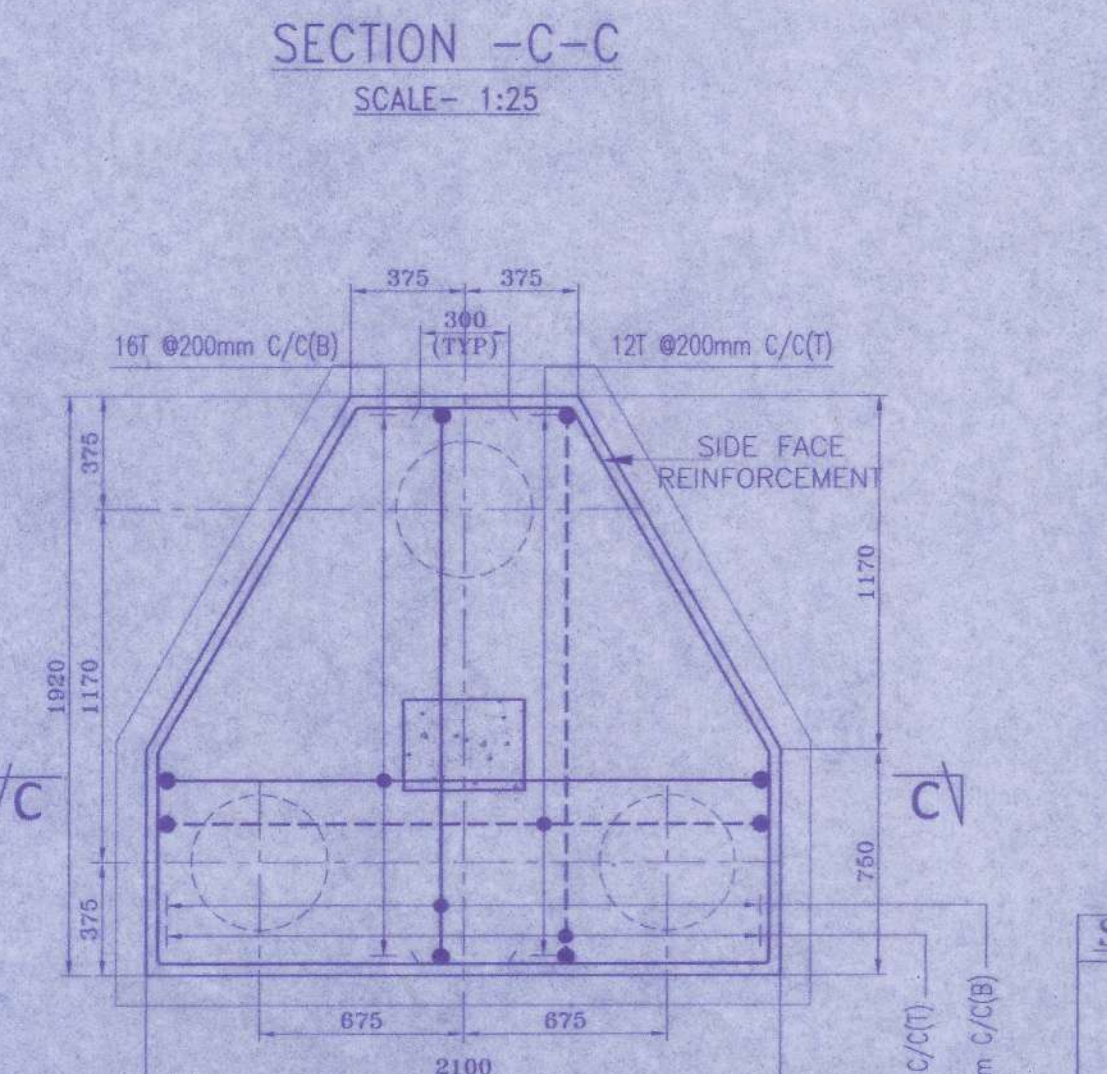
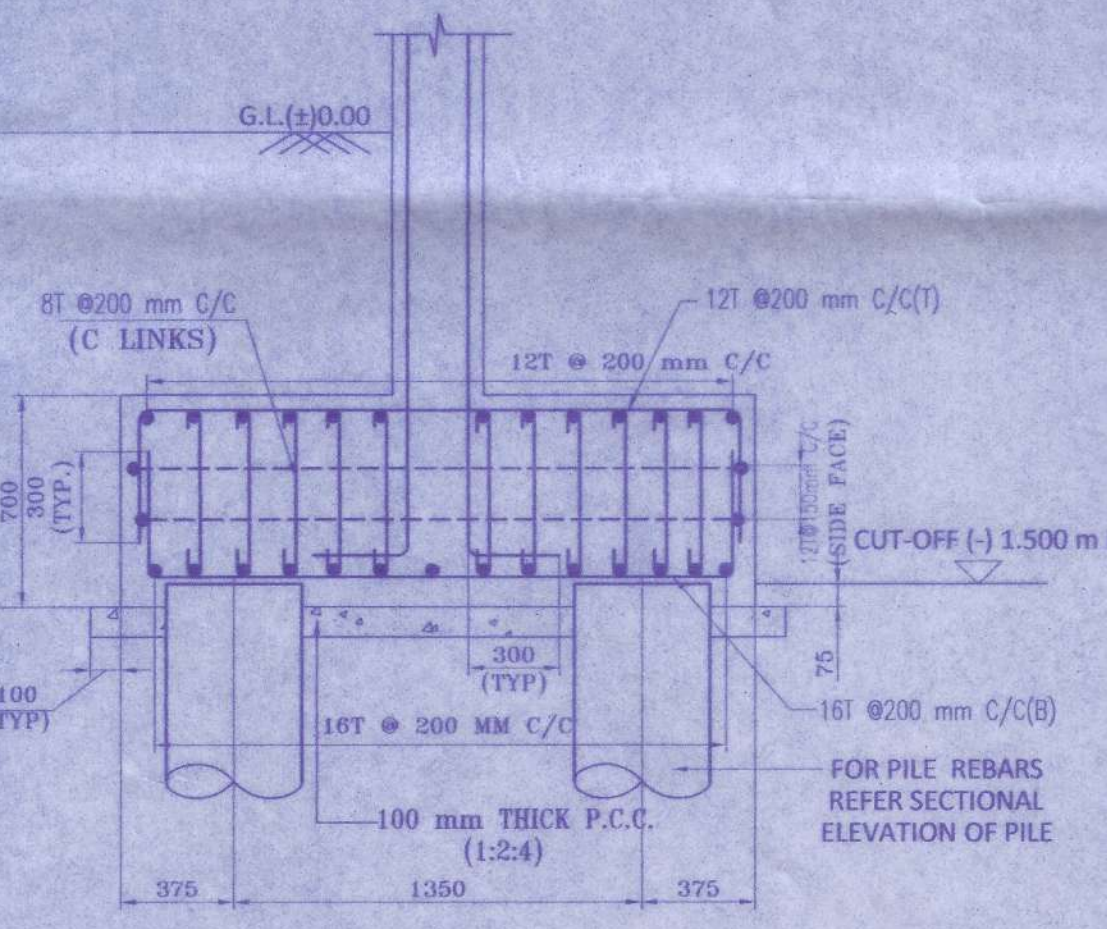
SUSMITA CHOUDHURY
 B.TECH (CIVIL) - WBUT
 ME (CONSTRUCTION) - JU
 ESE-11/10308/100
 ESE-11/KM/C/1664
 SPTER/NKDA/21/00010
 CVEN/NKDA/10/00375
 (M)-8997817321/7003201735

SIGNATURE OF STRUCTURAL ENGINEER

SIGNATURE OF THE VETTING AUTHORITY
STRUCTCON CONSULTANT:
 STRUCTCON ENTERPRISE
 REGD. ADDRESS: ASHRAY APARTMENT,
 GROUND FLOOR,
 96B, KALIKAPUR ROAD,
 KOLKATA - 700 099
 Email-structconenterprise@gmail.com
 Ph. - 9007714476, 7006201735

DRAWING TITLE
 FOUNDATION LAYOUT PLAN WITH REINFORCEMENT DETAILS.
 SCALE-1:100 OR AS SHOWN
 DATE-03.08.2023
 SHEET NO. - 1 OF 3
 SHEET SIZE - A1

SPECIAL NOTE:-
 THE STRUCTURE MUST BE CONSTRUCTED IN PRESENCE OF A COMPETENT STRUCTURAL ENGINEER FOR STRICT SUPERVISION.



SCHEDULE OF PILE

| LEGEND | DIA. OF PILE (mm) | CUT-OFF LEVEL BELOW G.L. (m) | PILE SHAPE & LENGTH (L) (m) | PILE CAPACITY SAFE WORKING LOAD IN TONS | | |
|--------|-------------------|---|-----------------------------|---|---------|---------|
| | | | | COMPRESSION | TENSION | LATERAL |
| ○ | 450 φ | (-) 1.5 [FOR ALL PILE CAPS EXCEPT SPA PILE CAP] | 20.0 | 42 | 29 | 4.2 |
| | | (-) 2.025 [FOR SPA PILE CAP ONLY] | | | | |

NOTE : ABOVE ARE THE PILE DETAILS ADOPTED. THESE MUST BE ENSURED AT SITE BY PILE LOAD TEST FOR VALIDITY OF THIS DRAWING.

SCHEDULE OF PILE CAP

| PILE NO. | NO. OF PILE CAP | DEPTH OF PILE CAP (mm) | ALONG X-DIRECTION | | ALONG Y-DIRECTION | | NO. LINKS (BOTTOMS)/STIRRUPS | SIDE FACE |
|----------|-----------------|------------------------|-------------------|----------------|-------------------|----------------|------------------------------|----------------|
| | | | BOTTOM | TOP | BOTTOM | TOP | | |
| SPA | 01 | 700 | 16 # @ 150 C/C | 12 # @ 150 C/C | 16 # @ 150 C/C | 12 # @ 150 C/C | 8 # @ 150 C/C | 12 # @ 150 C/C |
| SPB | 01 | 700 | 16 # @ 150 C/C | 12 # @ 150 C/C | 16 # @ 150 C/C | 12 # @ 150 C/C | 8 # @ 150 C/C | 12 # @ 150 C/C |
| 3P | 10 | 700 | 16 # @ 200 C/C | 12 # @ 200 C/C | 16 # @ 200 C/C | 12 # @ 200 C/C | 8 # @ 200 C/C | 12 # @ 150 C/C |
| 2P | 15 | 700 | 5-16 # | 5-12 # | 5-16 # | 5-12 # | 4- # @ 150 C/C | 12 # @ 150 C/C |